

## Comet Operating Instructions

### This is not a toy

Comets are manufactured from stainless steel and other heat resisting materials. To avoid damaging your Comet and to ensure its lasting performances please follow carefully the instructions detailed below.

Use lamp oil or paraffin to fuel your Comets. Never use petrol.

Use the refuelling bottle provided and avoid over-fuelling.

Before lighting your Comet wipe off any spilt fuel.

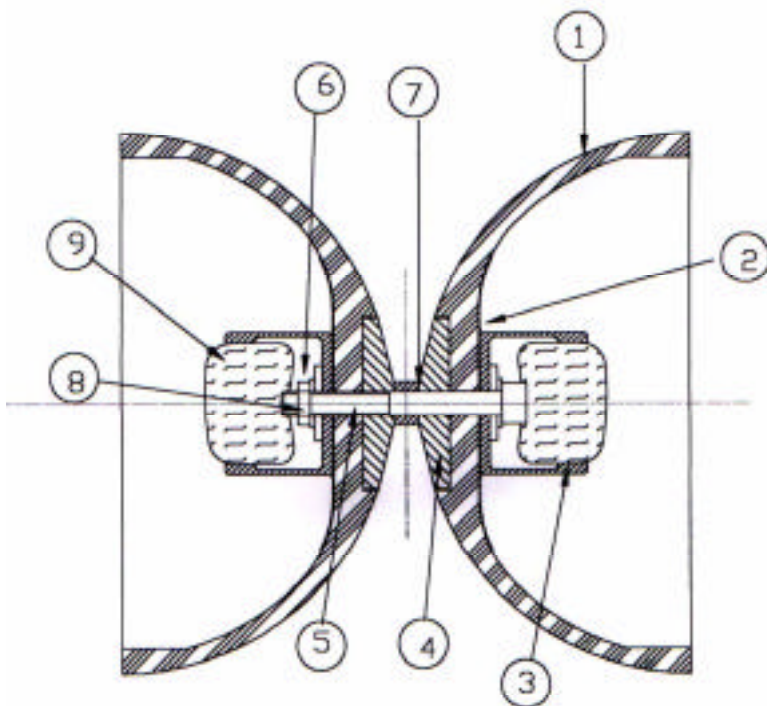
Do not juggle your Comet on concrete or other very hard surfaces.

Avoid excessively high throws.

Do not withdraw the wick more than 6-8 mm from the end of each aluminium fuel cartridge.

When alight, always ROTATE the Comet. This will cool the Diabolo and prevent localised overheating.

On completion of your juggling routine extinguish the flame and continue to rotate the Comet about 15 seconds. Allow to cool between each performance.



To maintain your Comet in pristine condition clean occasionally with hot soapy water and if necessary with a proprietary metal cleaner.